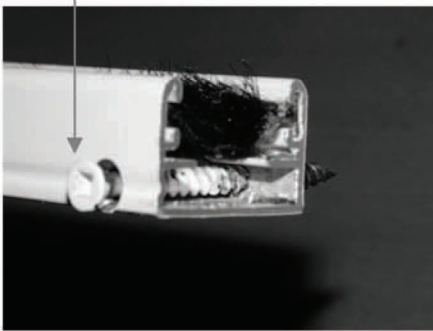


Slide Screen

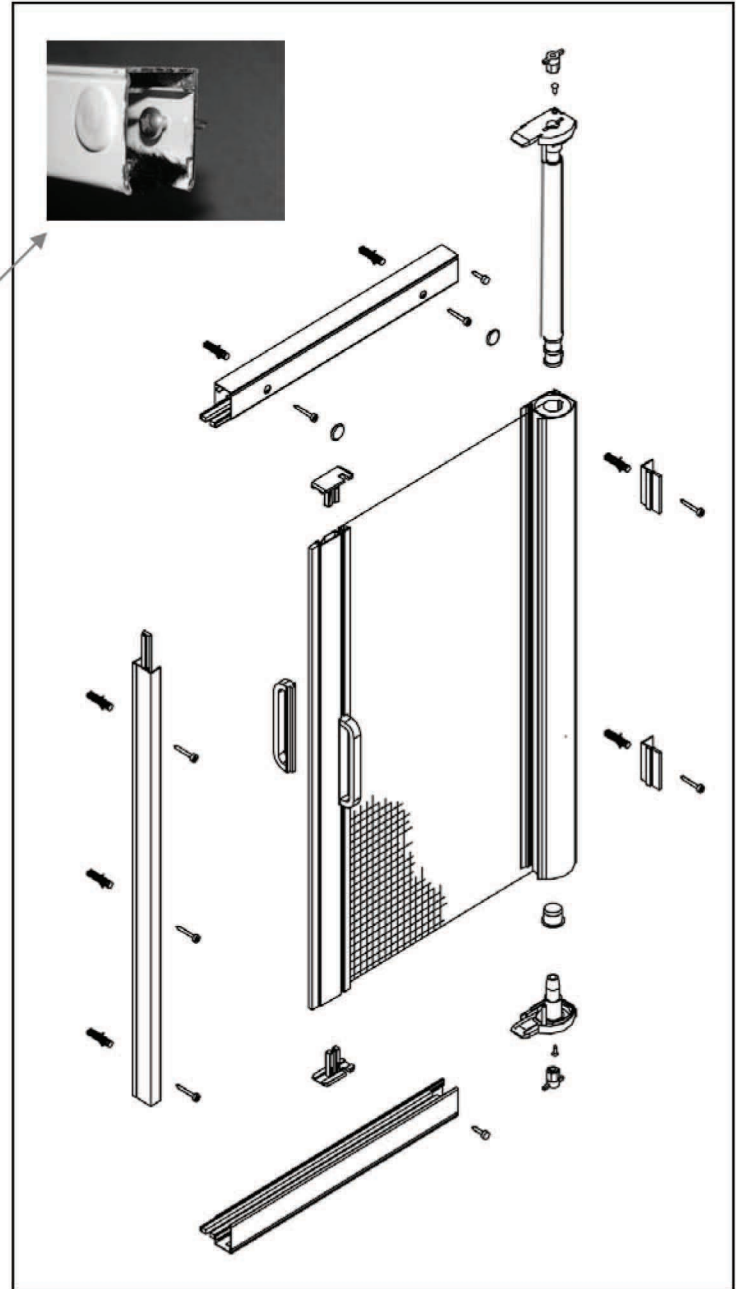
Surface Mounting the Screen:

Occasionally a door may need to be surface mounted on the outer surface or brick molding area. To perform this installation please use the surface mount brackets as shown. The top guide rail is then installed by drilling a series of 3/8" access holes on the outermost side of the rail. Next apply the screws provided and then fill the access holes with decorative rubber plugs. The side rail with magnet is then fastened with screws through the side wall as shown. Most typically, the bottom rail guide may be fastened with screws through the bottom and into the door threshold or sub-flooring. If the rail must be surface mounted, do so by pre-drilling a small 1/8" hole through the rail using the decorative trim groove as a guide. Now fasten using 1-1/2" or longer screws making certain that the screws remain in the lower chamber and do NOT interfere with the upper glide platform (as shown below). For a professional look, slightly counter-sink the holes and apply color coordinated counter-sunk screws.



Care & Maintenance

Your retractable screen should be occasionally cleaned using mild soapy water. For best results allow the mesh to fully dry before retracting the screen. Your retractable screen bottom rail should also be vacuumed periodically to avoid accumulation of debris. A little care will help assure smooth, gentle operation of your retractable screen.



That's it; enjoy your new retractable screen!