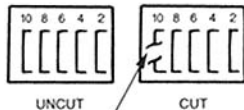
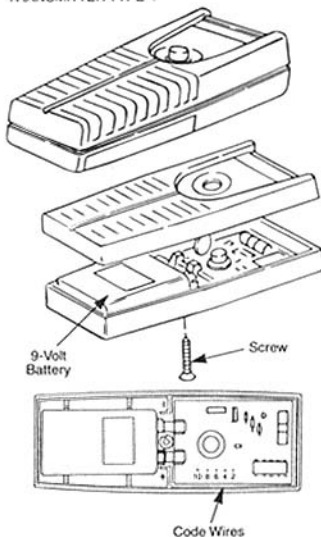


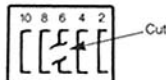
Transmitter Coding Instructions

TRANSMITTER TYPE 4

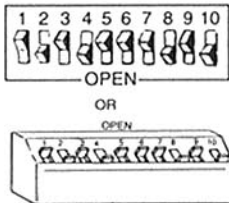


NOTE: Cut code wire using a nail clipper or scissors, making sure the cut ends do not touch each other, or any other code wires.

TRANSMITTER TYPE

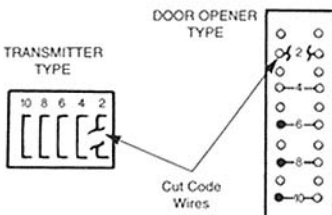


DOOR OPENER TYPE



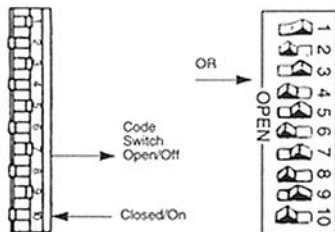
This transmitter utilizes 5 code wires numbered 2, 4, 6, 8 and 10. It can be used with door openers that have either the same 5 code wire type, or with door openers that have a bank of 9 or 10 position digital code switches.

- A. If used with door openers having the same 5 code wire type, simply cut the same code wires in both the transmitter and door opener (as shown below).



- B. If used with door openers having a 10 position digital code switch, FIRST press all odd numbered switches toward the OPEN/OFF position, and all even numbered switches to the ON position (as shown below).

NOTE: Some code switches are marked "ON/OFF." Others are marked "OPEN." Please note that the "OFF" position equals the "OPEN" position.



- C. If this transmitter is to be used with a door opener having a 9 position digital code switch, you **MUST** cut the #10 code wire as shown at left. This is not required with a door opener using a 10 position digital code switch.

The transmitter is now properly coded to the door opener and will open and close the garage door.

CODE CHANGE

To change the code, simply cut one or more of the wires in the transmitter and press the corresponding even number of digital code switches in the door opener to the OPEN/OFF position to properly code it with the transmitter.

EXAMPLE: Cut wire #6 in the transmitter; push digital code switch #6 on the opener to the OPEN/OFF position as shown at left.