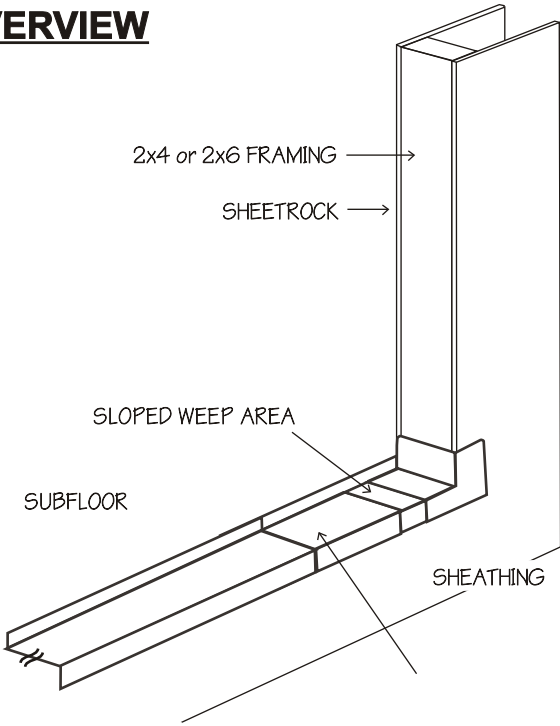
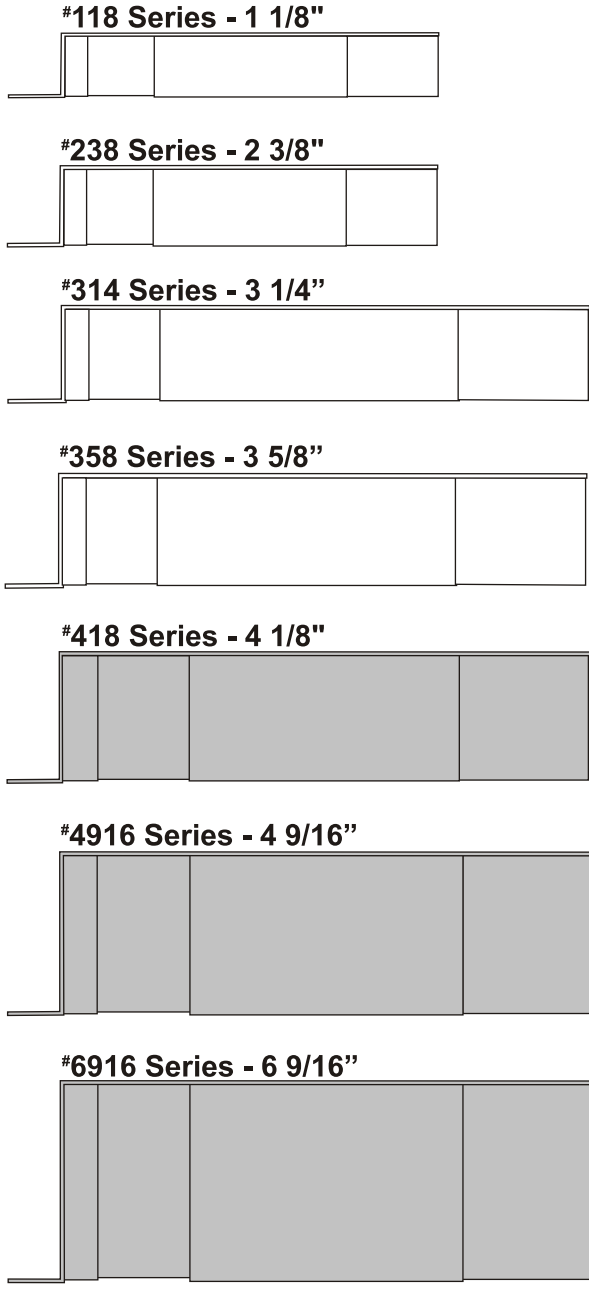


OVERVIEW

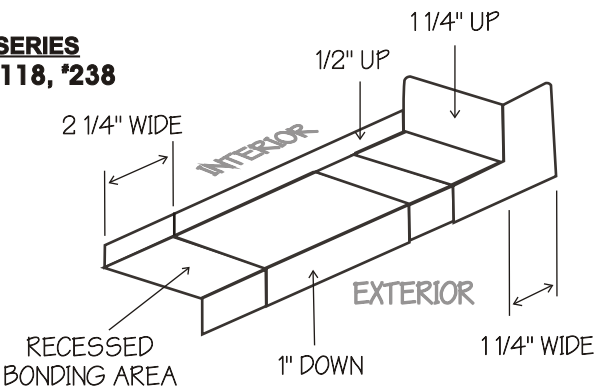


DEPTHS

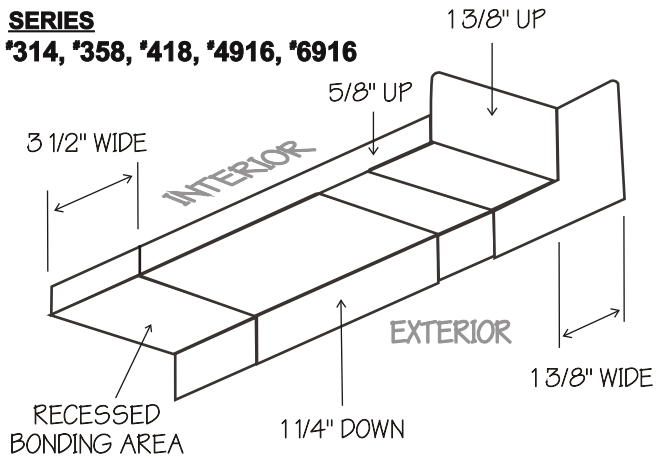


DIMENSIONS

**SERIES
 #118, #238**



**SERIES
 #314, #358, #418, #4916, #6916**



THICKNESS

One-Piece Molded Corners-

#118, #238	.045 - .090
#314, #358, #418, #4916, #6916	.060 - .125

**Extrusion-
 ALL SERIES**

	.060 - .065
--	-------------